

Product's Features

- Lamp body material: aluminum die casting
- Stainless steel buckle is available
- Impact resistance, high temperature resistance
- Can prevent dust and water from entering the lamp
- Easy to maintain and replace the light source

Applications

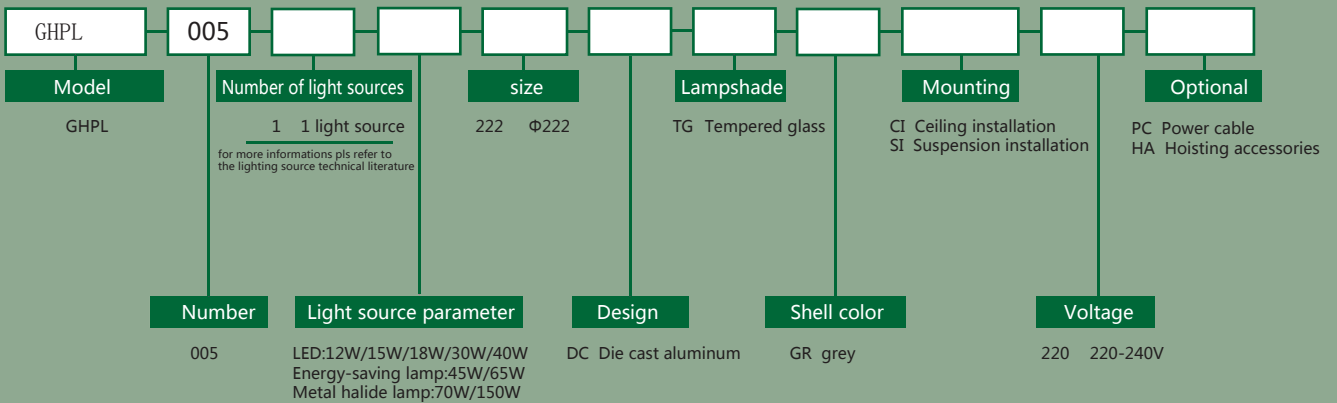
- Factories, supermarkets, shopping malls, schools, hospitals, underground parking lots, warehouses, etc.

Technical parameters

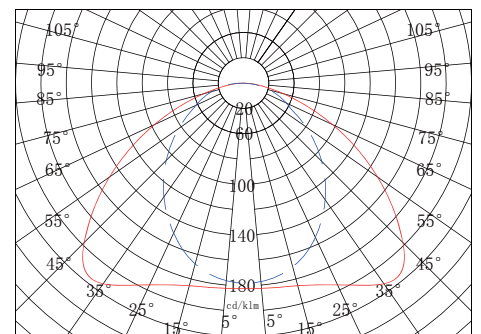
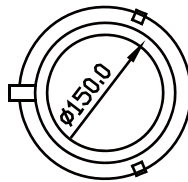
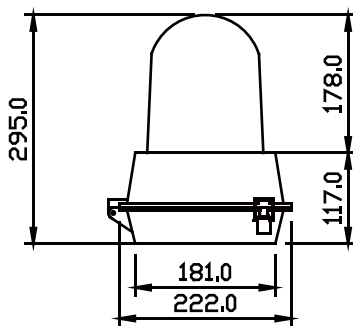
Light source type: LED, energy-saving lamp, metal halide lamp
 Lamp holder type: E27
 Lamp power: 12-150w
 Electrical type: ballast, LED drive
 Working voltage: 220-240V
 Color rendering index: Ra ≥ 80 , Ra ≥ 90
 Lumen value: 100LM/W, 120LM/W
 Color temperature: 2700-6500K
 Life expectancy: 50,000 h (Ta=25°C)
 IP Grade : IP65
 Insulation Grade: Class 1
 Safety Standards: IEC598



Order Guide :



Remark: compliance with the requirement of the buyer



Model	Number	Number of light sources	Light source type	Light source power(W)
GHPL	005	1	LED	12W/15W/18W/30W/40W
GHPL	005	1	Energy-saving lamp	45W/65W
GHPL	005	1	Metal halide lamp	70W/150W



Lighting control	Dimming method	luminous flux
Manual control Intelligent control Emergency control	Dim0/1-10V dimmable DALI dimmable Triac dimmable DMX512 dimmable Not dimmable	100LM/W 120LM/W

LED driver	light source	Life expectancy
Optional configuration brand: MEAN WELL PHILIPS OSRAM TRIDONIC LTECH LIFUD KEGUPOWER	Optional configuration brand: CREE BRIDGELUX PHILIPS OSRAM EPISTAR SANAN FSL	50,000 h (Ta=25°C)

Certification certificate	Color rendering	Color temperature
CE RoHS COGC CCC	Ra ≥ 80 Ra ≥ 90	2700-3000K 3500-4000K 6000-6500K